



ISTRUZIONI DI MONTAGGIO

IT

FITTING INSTRUCTIONS

EN

NOTICE DE MONTAGE

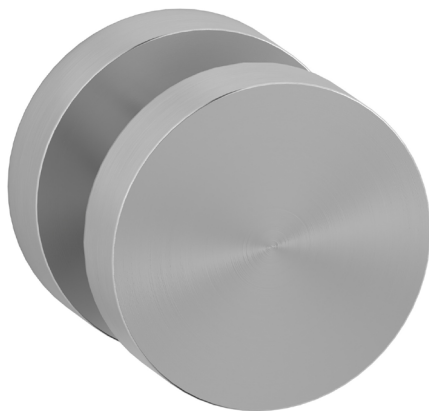
FR

عيميچت لالتاميلعت

AR

TOTEM

404 - 405



WE ARE IB

DATI TECNICI

Pressione dinamica min: 0.5 bar

Pressione MAX di esercizio: 5 bar

Pressione di esercizio raccomandata: 1-5 bar

Si raccomanda di utilizzare un riduttore di pressione,
se all'interno dell'impianto si hanno pressioni statiche superiori a 5 bar.

Temperatura MAX acqua calda: 65°C

NORME DI INSTALLAZIONE, MANUTENZIONE E VERIFICHE PRELIMINARI

Perchè il suo apparecchio funzioni nella maniera corretta e possa durare nel tempo, occorre che vengano rispettate le modalità di installazione e manutenzione illustrate in questo opuscolo. Affidarsi ad un idraulico qualificato. Assicurarsi che l'impianto sia stato liberato da tutti i detriti ed impurità esistenti.

PULIZIA

Per una corretta pulizia, lavare esclusivamente con acqua e sapone, risciacquare ed asciugare con una pelle di daino e panno morbido. Evitare assolutamente l'impiego di alcool, solventi, detersivi solidi o liquidi contenenti sostanze corrosive o acide, strofinacci con fibre sintetiche, spugne abrasive, tamponi con fili metallici, poichè potrebbero alterare irreversibilmente le superfici trattate.

L'UTILIZZO DI QUESTO TIPO DI DETERGENTI PER LA PULIZIA DEL RUBINETTO FA DECADERE QUALSIASI GARANZIA SULLA SUPERFICIE DELLO STESSO DA PARTE DI IB.

TECHNICAL DATA

Minimum dynamic pressure: 0.5 bar

Maximum operational pressure: 5 bar

Recommended operational pressure: 1-5 bar

It's recommended to use a pressure reducer in case of
static pressure superior than 5 bar inside the waterpipe.

Maximum hot water temperature: 65°C

INSTALLATION, MAINTENANCE AND PRELIMINARY CHECKING PROCEDURE

In order to get your device work correctly and fine in time, must ensure compliance with the mode of installation and maintenance described in this booklet. Relying on a qualified plumber. Make sure that the system is free from all debris and impurities existing.

CLEANING

In order to obtain a correct cleanliness, exclusively wash them with soap and water, rewash and dry them with a soft towel and deerskin. Avoid the usage of alcohol, solvents, solid or liquid detergents which contain corrosive or acidic substances, abrasive sponges, swab with metallic strings because they could irreversibly compromise the surfaces.

THE USAGE OF THIS KIND OF DETERGENTS DURING THE CLEANING OF THE MIXER EXCLUDE IB RUBINETTERIE FROM ANY WARRANTY OBLIGATION.

CARACTERISTIQUES TECHNIQUES

Pression dynamique minimale : 0.5 bar

Pression de service maximale : 5 bar

Pression de service recommandée : 1-5 bar

Il est recommandé d'utiliser un réducteur de pression en cas,

dans le système hydraulique, il y a des pressions statiques supérieures à 5 bar.

Température maximum d'eau chaude : 65°C

INSTALLATION, D'ENTRETIEN ET VÉRIFICATIONS PRÉLIMINAIRES

Pour assurer le bon fonctionnement du produit et il puisse durer dans le temps, il est nécessaire qu'ils soient remplies les procédures de installation et l'entretien définies dans la brochure. S'appuyer sur un plombier qualifié. S'assures que les tuyauteries soient nettoyées par toutes saletés et résidus.

NETTOYAGE

Afin d'assurer un bon nettoyage, laver exclusivement avec eau et savon, rincer et essuyer avec un chiffon doux. N'utiliser jamais alcool, solvants, de poudres à récurer ni de nettoyeurs acides et éponges abrasives ou éponges métalliques car risquent de causer des dommages irrémediables.

L'UTILISE DES CES DETERGENTS POUR LE NETTOYAGE DU MITIGEUR REND CADUQUE LA GARANTIE SUR LA SURFACE DE-CI PAR IB.

ةي نقت تامول عم

راب 0.5 يكي ماني دلا طغض لل يندألا دحل

راب 5 لي غشتلا طغض لي صقألا دحل

راب 1-5: هب لي صوم لي لي غشتلا طغضلا

كلذ ثودح ةلاح يي طغضلا ضفخم م ادختساب لي صوي

ةشي شلا لخاد راب 5 م لي عأ تباث طغض

ةي وئيم ةجرد 80: نخاسلا ةاملا ةرارح ةجرد لي صقألا دحل

لي ولألا ص ح فل تاءارچ ةناي صل او تي ب ث تلا

اذه يي ح ضوملا ةناي صل او تي ب ث تلا عضول لا ث م الما نم دكأ ت لا بجي، بس انم لا تقولو يي و حي ص لك شب كزاه ج لم عي يكي

ةدوجوملا بئ او شلا و ماطح لاي عي م نم ماطنلا ولخ نم دكأت. لهؤم كابس لي ع دامتعالا. بي ت كلال

في ظنن

لا زغال دلجو ةمغان ةف ش نمب اهف ج و اهلس غ دعأ م: نوب اصل او ةاملاب أي رصح اهلس غا، ةحي حص ةفاظن لي ع لوصح لاجأ نم

ةي ضمح وأ لكأ ت لا ةب بس م داوم لي ع يوتحت ي ت لا ةلئ اسلا وأ ةب لصل لا تافظنم لا و تابي ذم لا و لوح كلال م ادختسا بنجت

مهيف ةعجر ال لك شب حطسألا رضت نأ نكي م انهأل ةي ندع م لا طوي خ لا تا ذ تاح س م لا و ةطش اك ال تا جنفس ل او

مازت لا يي أن م IB RUBINETTERIE يني ثت سي طال خ لا في ظنن ة انثأ تافظنم لا نم عون لا اذه م ادختسا نإ

نماض لابل

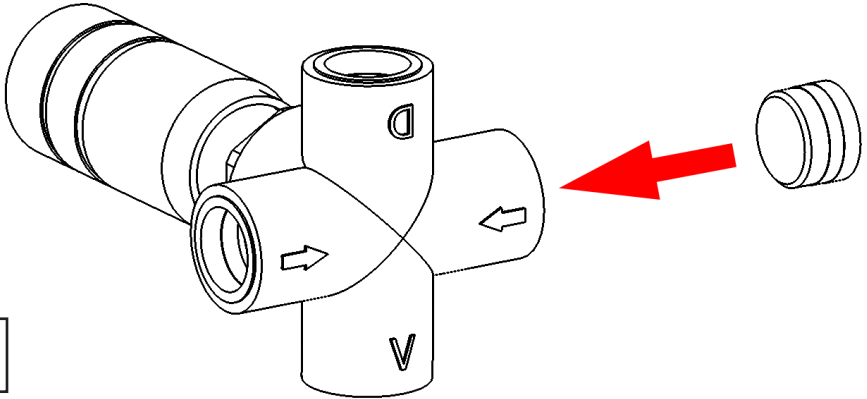
404

1 entrata acqua miscelata

1 mixed water inlet

1 entrée d'eau mitigée

طول ختم ماء لدحو او لدخدم

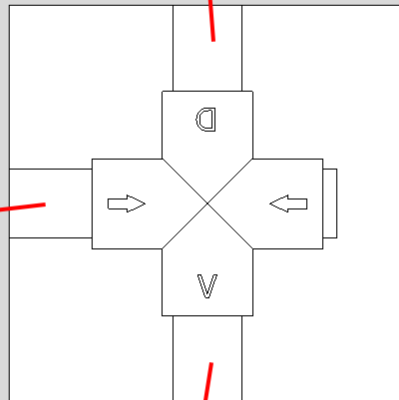


1

2

G1/2" M
Entrata
Inlet
Prise d'eau

G1/2" M
Uscita doccia
Shower outlet
Sortie douche



G1/2" M
Uscita vasca
Bath outlet
Sortie baignoire



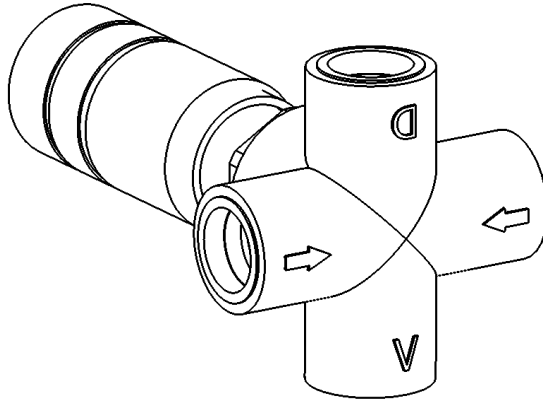
404

2 entrata acqua miscelata

2 inlets hot and cold water

2 entrées eau chaude et eau froide

درابو نخاس ام - نالخدم

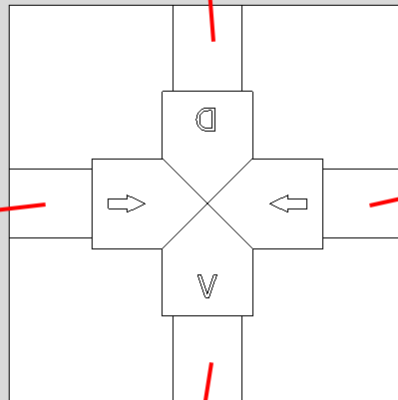


3

4

G1/2" M
Uscita doccia
Shower outlet
Sortie douche

G1/2" M
Entrata
Inlet
Prise d'eau



G1/2" M
Entrata
Inlet
Prise d'eau

G1/2" M
Uscita vasca
Bath outlet
Sortie baignoire



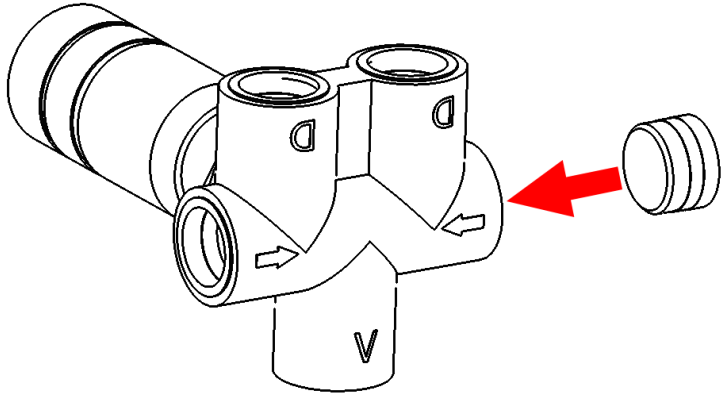
405

1 entrata acqua miscelata

1 mixed water inlet

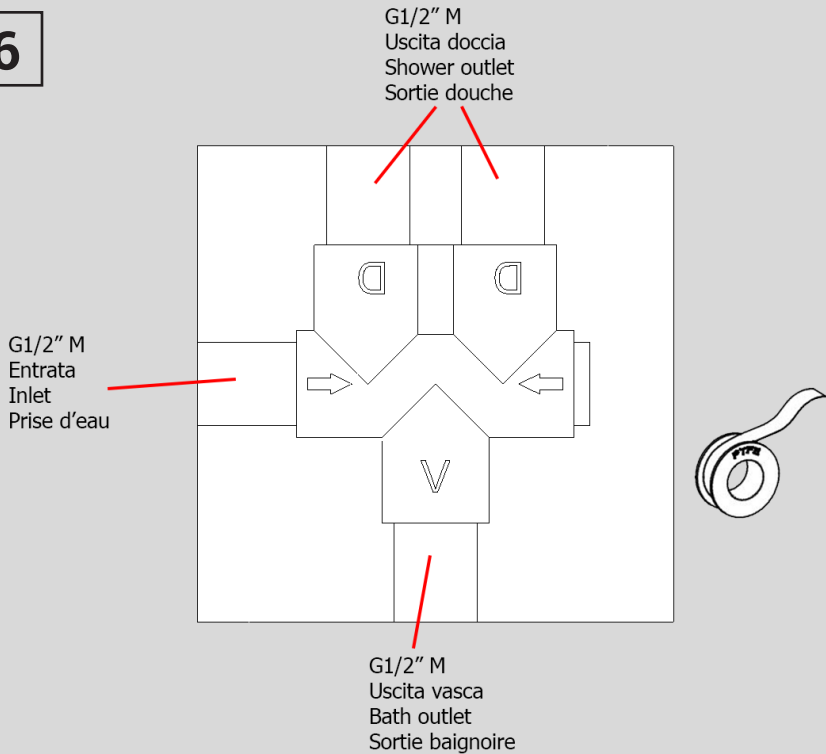
1 entrée d'eau mitigée

طول مخم ماء ل دحاو لخدم



5

6



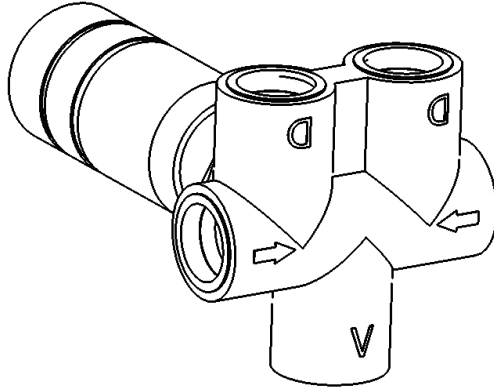
405

2 entrate acqua miscelata

2 inlets hot and cold water

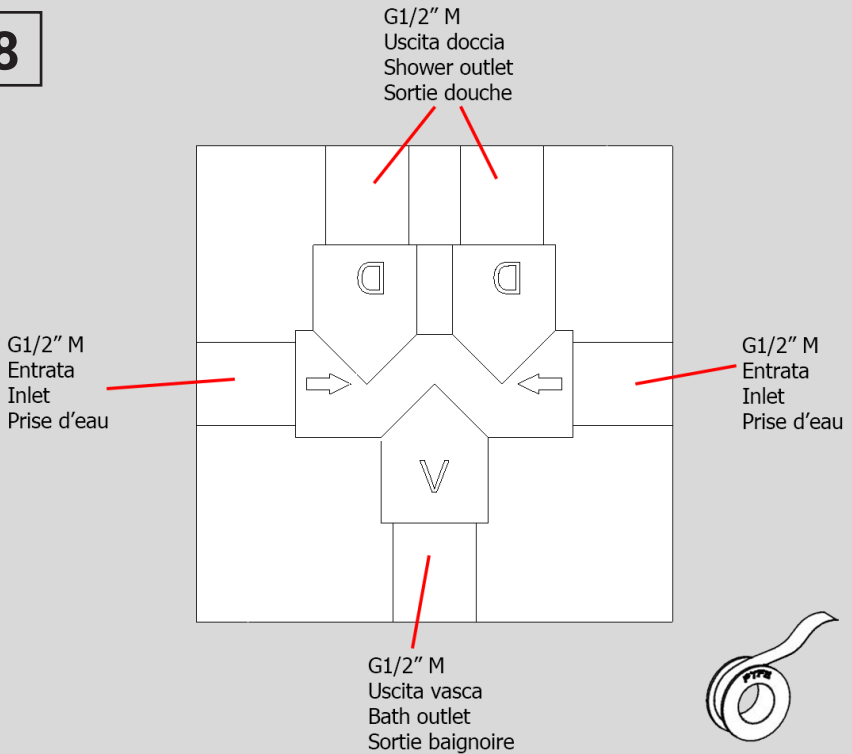
2 entrées eau chaude et eau froide

دراپو نځاس ءام - نالځدم

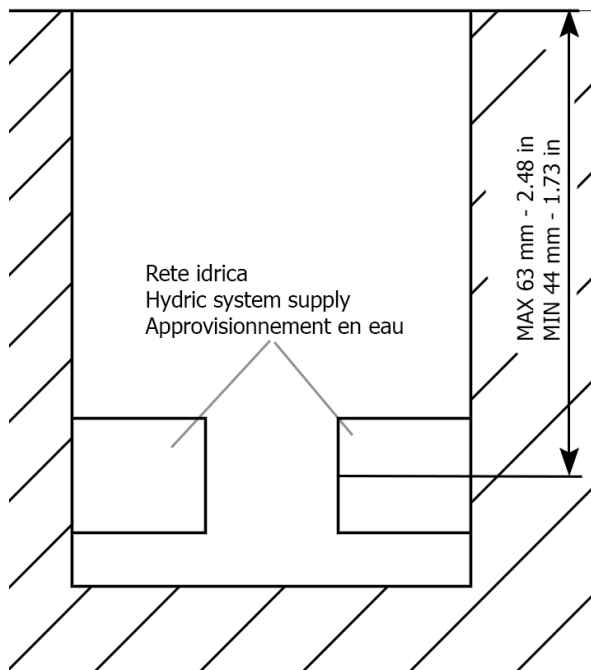


7

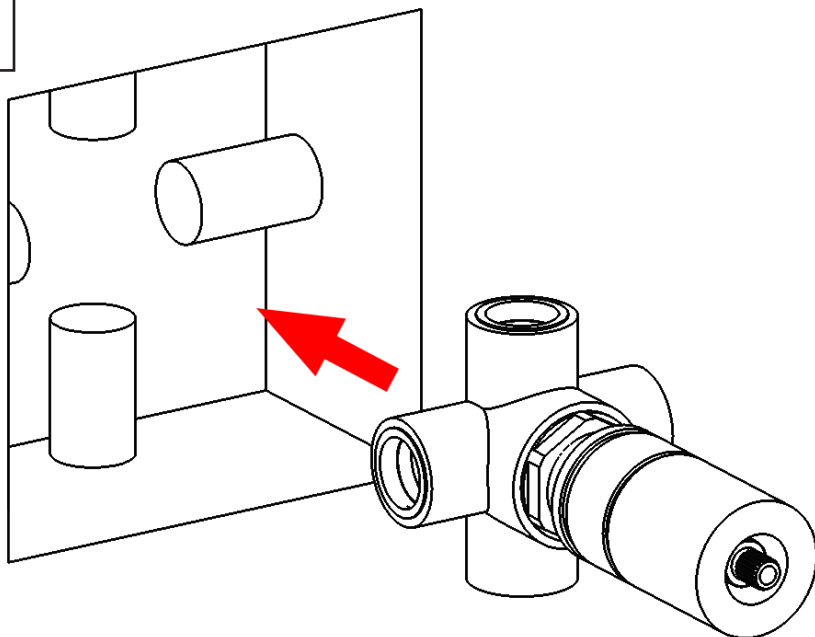
8



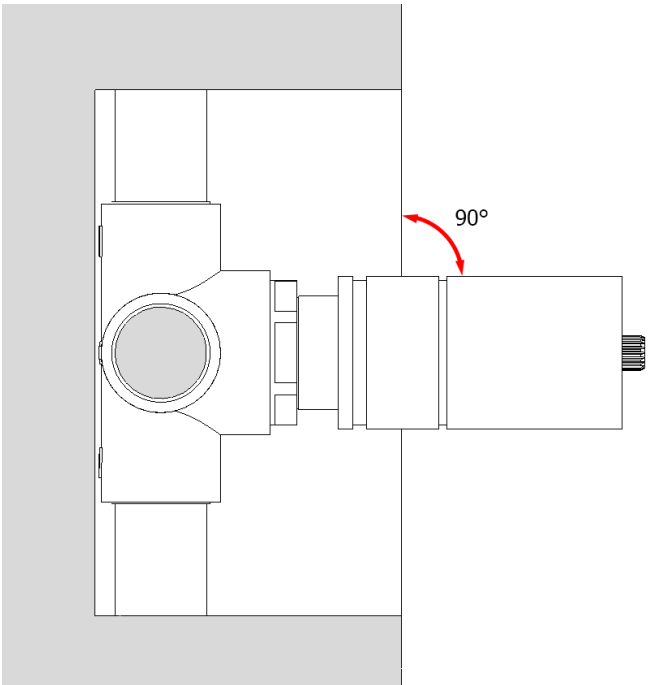
5



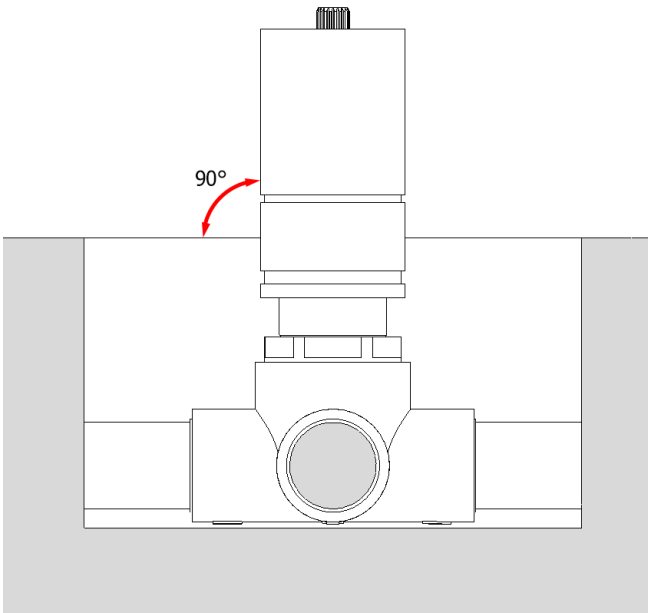
7



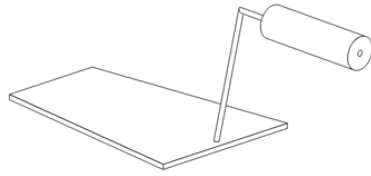
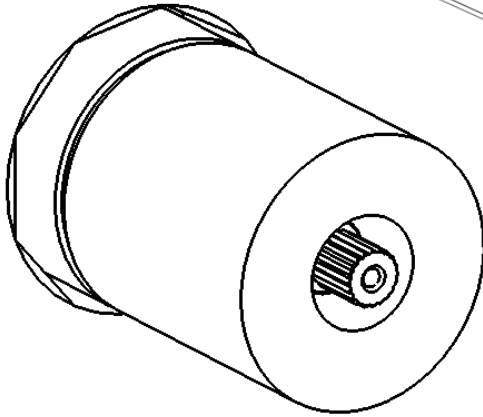
8



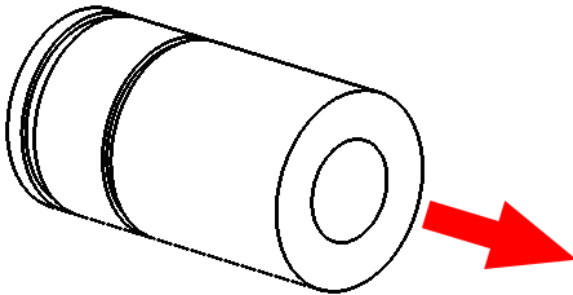
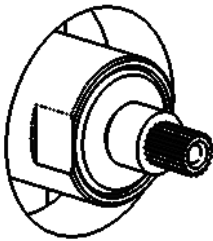
9



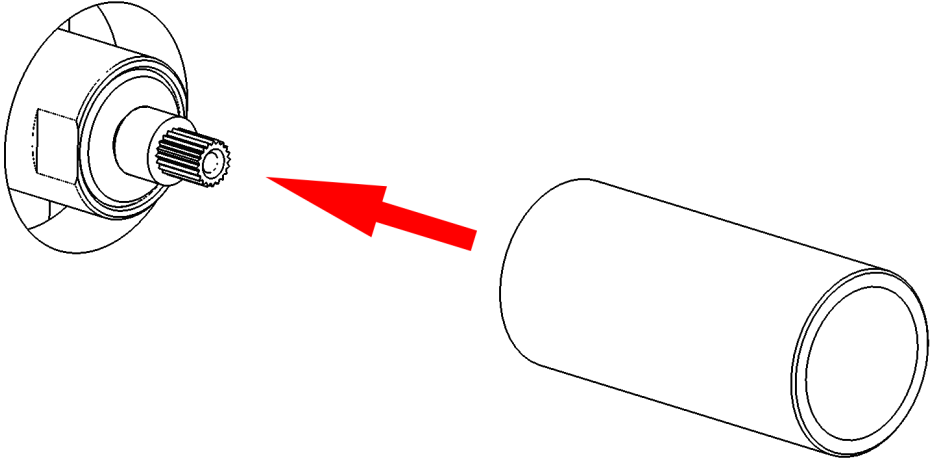
10



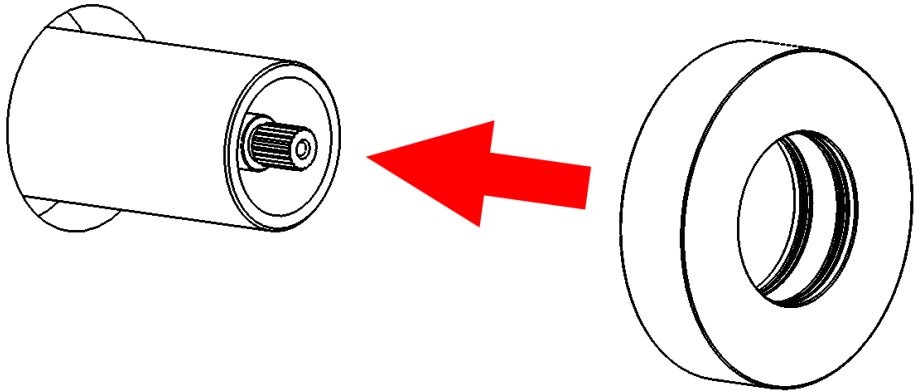
11



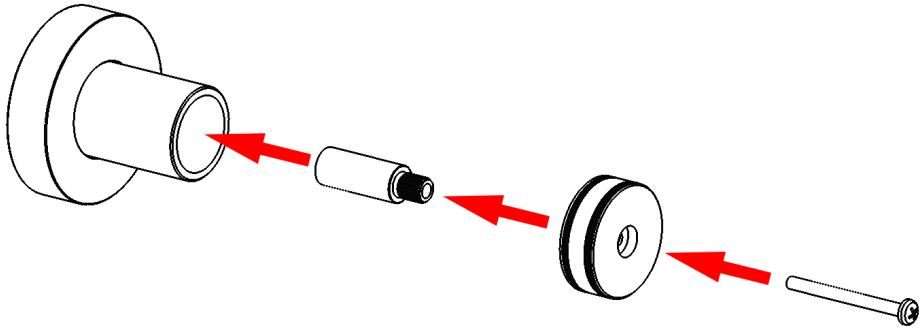
13



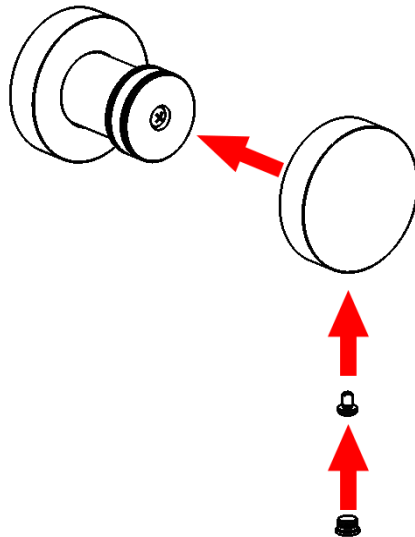
14



16



17



Rev.: 17/09/2025

IMPORTANT

Pressure & Temperature Requirements.

- ❄ Hot and cold water inlet pressures should be equal.
- ❄ Inlet pressure range: 150-1000 kPa
- ❄ New Regulation: -500 kPa maximum operating pressure at any outlet within a building. (Ref. AS/NZS 3500.1-2003, Clause 3.3.4)
- ❄ Maximum hot water temperature: 80°C.

IB RUBINETTERIE s.p.a.
via dei Pianotti 3/5
25068 Sarezzo (BS) - Italy -
P.IVA 01785230986



ISCR. REG. IMPR.
BS 01785230986
R.E.A. BS 352087
capitale sociale €420.000,00 i.v.

T. +39 030 802101
F. +39 030 803097
info@weareib.it
www.weareib.it