



WE ARE IB

Collection

**M316**

Article

**M3406**

Description

**Exposed part for wall mounted washbasin mixer with rings**

Box Dimensions

**345x180x80 mm**

Weight

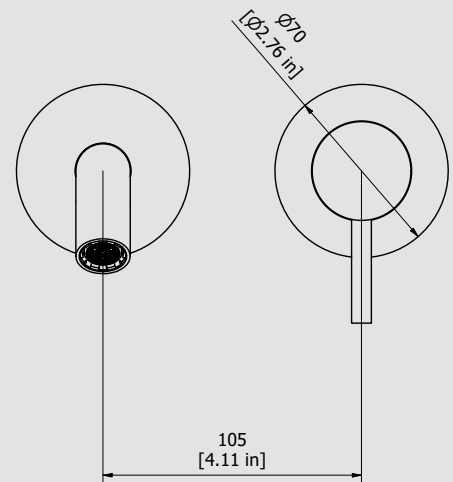
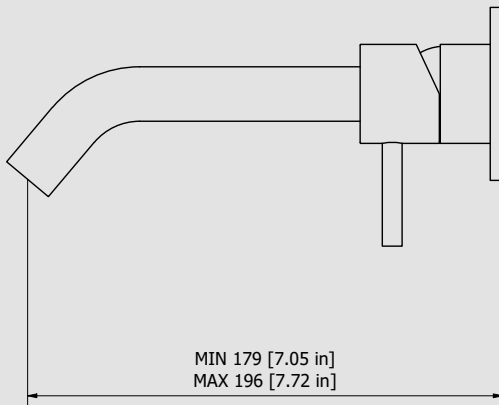
**1.2 kg**

Finishes

- **SA**  
BRUSHED  
STAINLESS  
STEEL
- **BM**  
BRUSHED  
BLACK  
METAL
- **WA**  
BRUSHED  
WARM  
BRASS
- **WB**  
BRUSHED  
WARM  
BRONZE



Dimensions



Cartridge

**Ø35 ceramic cartridge**

Threaded fitting

**G1/2" female**

Aerator

**M18.5 x 1**

Flow Rate (+/-10%)

**1 BAR  
5 l/m**

**2 BAR  
5.5 l/m**

**3 BAR  
5.5 l/m**

Production

**Main body is a single casted pieces**

Material

**STAINLESS STEEL  
AISI316**

IB RUBINETTERIE s.p.a  
via dei Pianotti 3/5  
25068 Sarezzo (BS) - Italy -

T. +39 030 802101  
F. +39 030 803097  
info@weareib.it

P.IVA 01785230986  
capitale sociale  
€420.000,00 i.v.

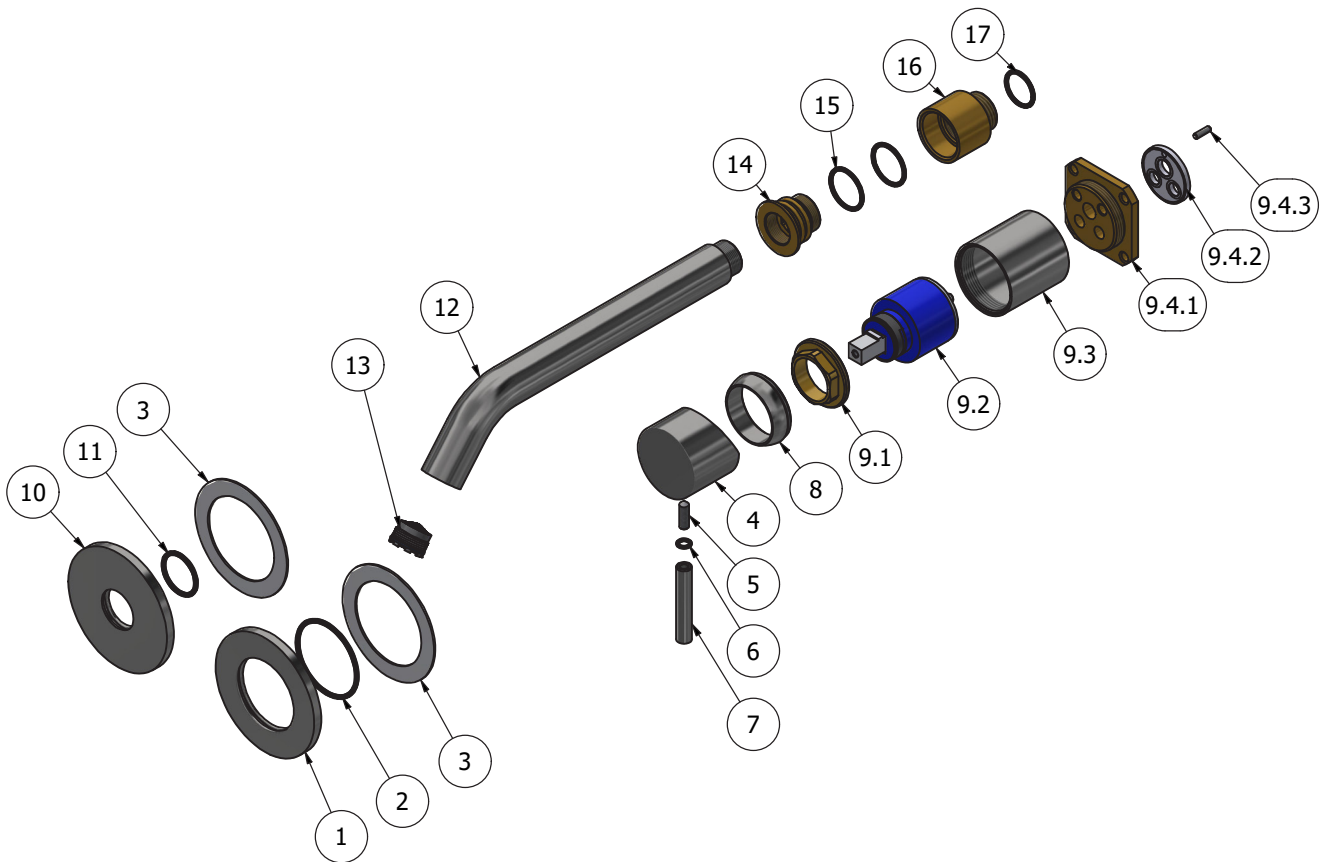
[www.weareib.it](http://www.weareib.it)





WE ARE IB

Parts list				
ITEMS	CODE	DESCRIPTION	FIN	QTÀ
1	AQSA19232	Rosette Ø70 Ø40.5 H5	F	1
2	AQ0012224	OR 40x2 NBR 70 SH		1
3	AQ0018597	Rubber packing double-sided tape Ø65xØ47x1	-	2
4	AQSA19271	Handle Ø40 H32 9x9 inc	F	1
5	AQ0009035	Grubscrew M5x16 cone point	-	1
6	AQ0009826	OR 5x1.5 NBR 70 SH	-	1
7	AQSA19156	Straight rod Ø8 L45 M5	F	1
8	AQSA19272	Cover Ø38.5 H11.5 M37x1.5	F	1
9	CPM3305SAN_1	Mixer 47x47 x recessed	-	1
9.1	AQ0001040	Cartridge ring nut M37x1.5 H9	G	1
9.2	AQ0004095	Ceramic cartridge Ø35 9x9 (K35A)	-	1
9.3	AQSA19229	Recessed ring Ø40 M37x1.5 H40.7	F	1
9.4	CP13040XXN_1	Inserto 47x47	-	1
9.4.1	AS0013040	Insert 47x47 H11 M37x1.5	G	1
9.4.2	AQ0015684	Gasket Ø31 H3.5 Ø7 Ø7.5	-	1
9.4.3	AQ0015357	Grubscrew M3x10 flat point	-	1
10	AQSA19203	Rosette Ø70 Ø22.5 H5	F	1
11	AQ0013362	OR 21x2 NBR 70 SH	-	1
12	AQSA19230	Spout Ø22 M18x1 M18.5x1 L213	F	1
13	AQ0018708	Aerator PCA cache M18.5x1 laminar 1.5 (43225601)	-	1
14	AS0016996	Spout insert Ø30 M20x1M M18x1 F H21	G	1
15	AQ0001400	OR 20.35x1.78 NBR 70 SH	-	2
16	AS0016995	Insert Ø30 G1/2" M H32	G	1
17	AQ0004630	OR 17.16x1.78 NBR 70 SH	-	1





WE ARE IB

### WARRANTY

All IB Rubinetterie SpA products are warranted for 10 years from the date of purchase, for the following cases:

- Defects of casting, porosity and chrome plating.
- Operating defects caused by incorrect fabrication.

The warranty provides for repair or replacement of products with fabrication defects recognized by our technical office. There is no other type of compensation anche the merchandise must be returned FOB our warehouse. The warranty only cover surface defects (scartches, dings, etc.) on fitting that have not been installed and used, returned in its original packaging with all components. O-ring, gasket seals and components subject to wear proportional to use are warranted for 2 years.

#### **The warranty is void in the following cases:**

Error installing and putting the product into service.

Deterioration of finished surfaces due to use of cleaning products containing acids or abrasive substances.

Deterioration of surface with finishes other than chrome plating. Their durability is, in fact, dependent on the user's care and gentleness of use.

Deterioration of the fitting due incorrect installation.

Improper repairs and maintenance performed without the company's prior authorization.

The warranty from IB Rubinetterie SpA is not renewable.

#### **Cleaning**

We recommended cleaning the finish surfaces with water and soap, using a soft cloth.

Do not use detergents that cointain hydrochloric acid or abrasive substances.