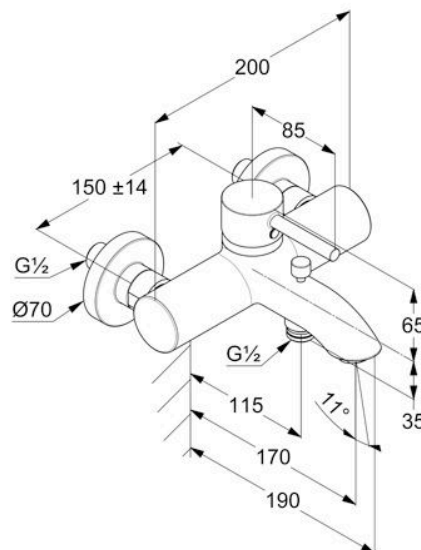
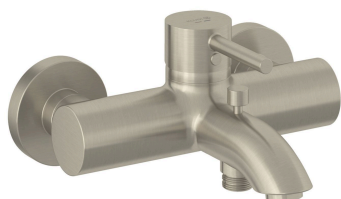


# KLUDI-BOZZ SINGLE LEVER BATH MIXER; SHOWER MIXER DN 15



38691N576

Bath Mixers



## Technical Specification

|                           |                                 |
|---------------------------|---------------------------------|
| <b>Series:</b>            | KLUDI-BOZZ                      |
| <b>Color:</b>             | Brushed Nickel                  |
| <b>Dimensions:</b>        | 190 x 220 x 101 mm              |
| <b>Flow Rate:</b>         | Extra High Flow (Above 9 L/min) |
| <b>Water Efficiency:</b>  | Standard                        |
| <b>Installation Type:</b> | Exposed                         |

### Name:

- KLUDI-BOZZ
- Single lever Bath Mixer
- Shower Mixer DN 15
- Solid lever
- Wall fastening
- Aerator M 24 x 1
- Flow rate 22 l/min at 3 bar
- Ceramic cartridge with hot water limitation
- Autom. diverter shower/bathtub

Dimensions: All dimensions in mm. Tolerance of vitreous china & fireclay items:  $\hat{A} \pm 5\%$  for below 200mm and  $\hat{A} \pm 3\%$  for above 200mm; for all other items tolerance  $\hat{A} \pm 1\%$ . Note: Due to a continuing development program to improve design and performance, the manufacturer reserves all rights to vary specifications without prior information. Please note accessories are for photographic use only.

Dimensions: All dimensions in mm. Tolerance of vitreous china & fireclay items:  $\hat{\pm}$  5% for below 200mm and  $\hat{\pm}$  3% for above 200mm; for all other items tolerance  $\hat{\pm}$  1%. Note: Due to a continuing development program to improve design and performance, the manufacturer reserves all rights to vary specifications without prior information. Please note accessories are for photographic use only.