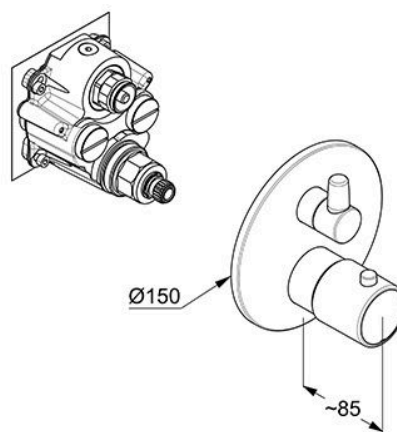
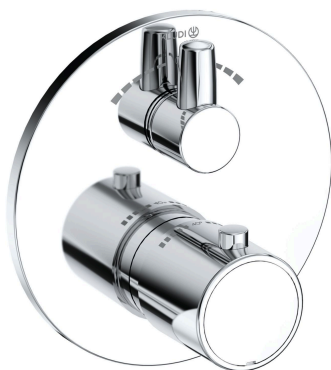


# KLUDI-ZENTA SL CONCEALED THERMOSTATIC BATH MIXER; SHOWER MIXER

KLUDI 

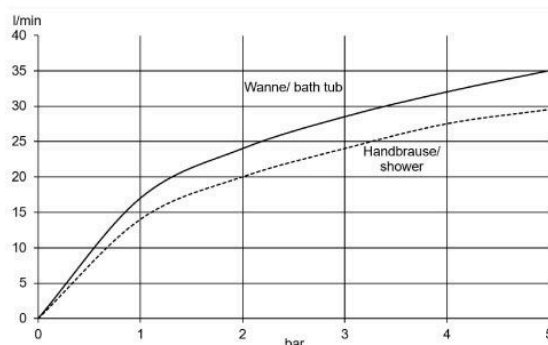
388100545

Bath Mixers



## Technical Specification

<b>Series:</b>	KLUDI-ZENTA SL
<b>Color:</b>	Chrome
<b>Dimensions:</b>	85 x 150 x 150 mm
<b>Flow Rate:</b>	Extra High Flow (Above 9 L/min)
<b>Water Efficiency:</b>	Standard
<b>Installation Type:</b>	Concealed



### Name:

- KLUDI-ZENTA SL
- Concealed thermostatic Bath Mixer
- Shower Mixer
- Concealed valve with functional unit
- With ceramic shut-off valve
- And diverter as rotary valve
- For 2 consumers
- Hot water safety device 40 °C

Dimensions: All dimensions in mm. Tolerance of vitreous china & fireclay items:  $\hat{A} \pm 5\%$  for below 200mm and  $\hat{A} \pm 3\%$  for above 200mm; for all other items tolerance  $\hat{A} \pm 1\%$ . Note: Due to a continuing development program to improve design and performance, the manufacturer reserves all rights to vary specifications without prior information. Please note accessories are for photographic use only.

- P-IX 18444/IICC

Dimensions: All dimensions in mm. Tolerance of vitreous china & fireclay items:  $\hat{\pm}$  5% for below 200mm and  $\hat{\pm}$  3% for above 200mm; for all other items tolerance  $\hat{\pm}$  1%. Note: Due to a continuing development program to improve design and performance, the manufacturer reserves all rights to vary specifications without prior information. Please note accessories are for photographic use only.