



WE ARE IB

Collection

## SHOWER & CO

Article

### P3075

Description

#### Round shut-off 316

Box Dimensions

150x190x100 mm

Weight

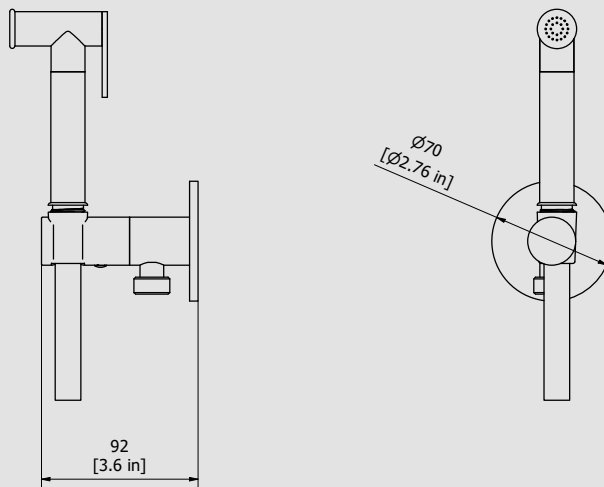
0.6 kg

Finishes

- **SA**  
BRUSHED  
STAINLESS  
STEEL
- **BM**  
BRUSHED  
BLACK  
METAL
- **WA**  
BRUSHED  
WARM  
BRASS
- **WB**  
BRUSHED  
WARM  
BRONZE



Dimensions



Cartridge

Threaded fitting

**Flex G 1/2" Female L1500**

Aerator

Flow Rate (+/-10%)

**1 BAR**  
l/m

**2 BAR**  
l/m

**3 BAR**  
l/m

Production

**Main body is a single casted pieces**

Material

**STAINLESS STEEL  
AISI316**

IB RUBINETTERIE s.p.a  
via dei Pianotti 3/5  
25068 Sarezzo (BS) - Italy -

T. +39 030 802101  
F. +39 030 803097  
info@weareib.it

P.IVA 01785230986  
capitale sociale  
€420.000,00 i.v.

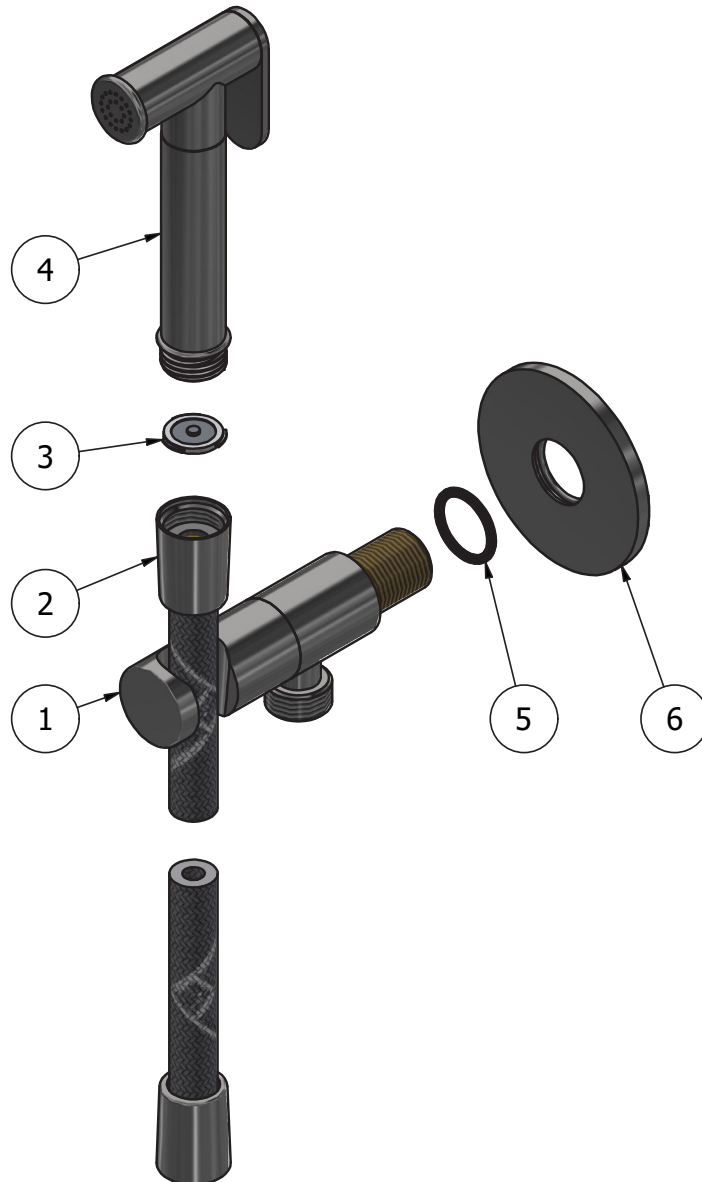
www.weareib.it





WE ARE **IB**

Parts list				
ITEMS	CODE	DESCRIPTION	FIN	QTÀ
1	AQSA19308	Round faucet support	F	1
2	AQSA19178	Flex G1/2" F L1500 Silver steel	F	1
3	AQ0013464	Flow regulator valve 4 LT G1/2" (58.8634.1)	-	1
4	AQSA19296	Shutoff handshower	F	1
5	AQ0008089	OR 20.29x2.62 NBR 70 SH	-	1
6	AQSA19203	Rosette Ø70 Ø22.5 H5	F	1





WE ARE IB

### WARRANTY

All IB Rubinetterie SpA products are warranted for 10 years from the date of purchase, for the following cases:

- Defects of casting, porosity and chrome plating.
- Operating defects caused by incorrect fabrication.

The warranty provides for repair or replacement of products with fabrication defects recognized by our technical office. There is no other type of compensation anche the merchandise must be returned FOB our warehouse. The warranty only cover surface defects (scartches, dings, etc.) on fitting that have not been installed and used, returned in its original packaging with all components. O-ring, gasket seals and components subject to wear proportional to use are warranted for 2 years.

#### **The warranty is void in the following cases:**

Error installing and putting the product into service.

Deterioration of finished surfaces due to use of cleaning products containing acids or abrasive substances.

Deterioration of surface with finishes other than chrome plating. Their durability is, in fact, dependent on the user's care and gentleness of use.

Deterioration of the fitting due incorrect installation.

Improper repairs and maintenance performed without the company's prior authorization.

The warranty from IB Rubinetterie SpA is not renewable.

#### **Cleaning**

We recommended cleaning the finish surfaces with water and soap, using a soft cloth.

Do not use detergents that cointain hydrochloric acid or abrasive substances.