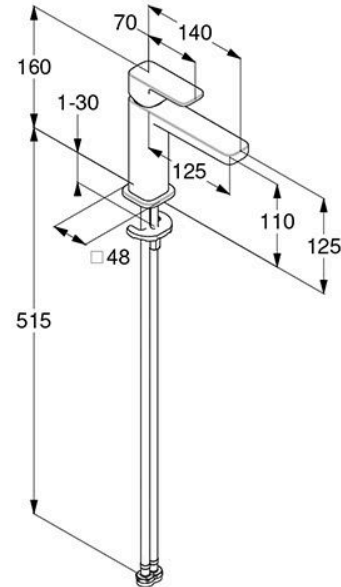


# KLUDI-RENON SINGLE LEVER BASIN MIXER 110 DN 15

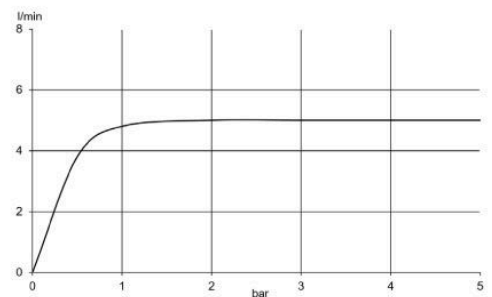
42282N575  
Basin Mixers

KLUDI 



## Technical Specification

<b>Series:</b>	KLUDI-RENON
<b>Color:</b>	Brushed Nickel
<b>Dimensions:</b>	158 x 36 x 160 mm
<b>Lever Type:</b>	Single
<b>Operation Type:</b>	Lever
<b>Water Efficiency:</b>	Moderate
<b>Installation Type:</b>	Deck-mounted



### Name:

- KLUDI-RENON
- Single lever basin mixer 110 DN 15
- Single hole mounted
- Solid lever
- PCA Caché aerator M 18,5 x 1
- Ceramic cartridge with hot water limitation
- Flow rate 5 l/min. at 3 bar
- Flexible pressure hoses G 3/8 DVGW approved

Dimensions: All dimensions in mm. Tolerance of vitreous china & fireclay items:  $\hat{A} \pm 5\%$  for below 200mm and  $\hat{A} \pm 3\%$  for above 200mm; for all other items tolerance  $\hat{A} \pm 1\%$ . Note: Due to a continuing development program to improve design and performance, the manufacturer reserves all rights to vary specifications without prior information. Please note accessories are for photographic use only.

Dimensions: All dimensions in mm. Tolerance of vitreous china & fireclay items:  $\hat{\pm}$  5% for below 200mm and  $\hat{\pm}$  3% for above 200mm; for all other items tolerance  $\hat{\pm}$  1%. Note: Due to a continuing development program to improve design and performance, the manufacturer reserves all rights to vary specifications without prior information. Please note accessories are for photographic use only.