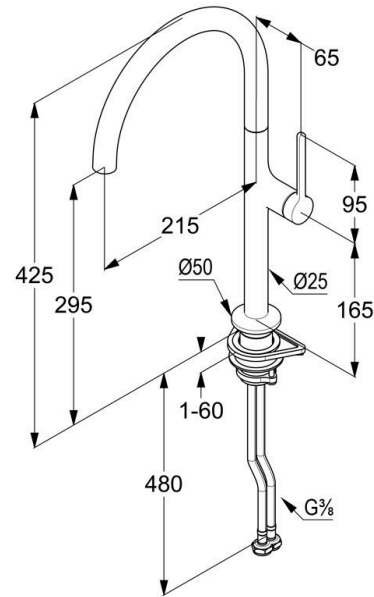


KLUDI-REEF KITCHEN FAUCET DN 15

508030575
undefined

KLUDI 

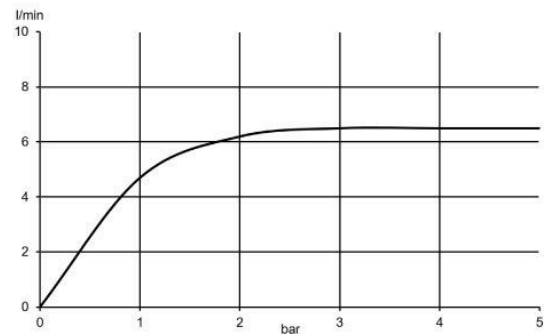


Technical Specification

Series:	KLUDI-REEF
Color:	Chrome
Dimensions:	240 x 90 x 425 mm

Name:

- KLUDI-REEF
- Kitchen sink fitting DN 15
- Kitchen sink fitting
- Single-lever mixer
- 1-hole installation
- Closed lever, metal
- Side operation
- Aerator M24 x 1 laminar
- Ceramic cartridge
- Flow rate at 3 bar: 7 l/min
- Swivel spout (360 degrees)
- Flexible pressure hoses
- G3/8, DVGW approved
- Quick installation system



Dimensions: All dimensions in mm. Tolerance of vitreous china & fireclay items: $\hat{A} \pm 5\%$ for below 200mm and $\hat{A} \pm 3\%$ for above 200mm; for all other items tolerance $\hat{A} \pm 1\%$. Note: Due to a continuing development program to improve design and performance, the manufacturer reserves all rights to vary specifications without prior information. Please note accessories are for photographic use only.