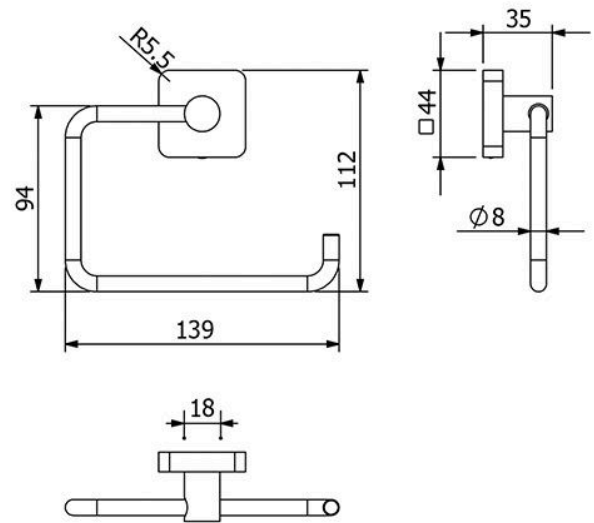


# KLUDI-VELA S PAPER-HOLDER

25982N0

Bathroom Accessories

KLUDI 



## Technical Specification

<b>Series:</b>	KLUDI-VELA S
<b>Color:</b>	Brushed Gold
<b>Dimensions:</b>	35 x 139 x 112 mm
<b>Material:</b>	Metal

### Name:

- KLUDI-VELA S
- Paper-holder
- Wall fastening
- With mounting material
- To be glued optionally

Dimensions: All dimensions in mm. Tolerance of vitreous china & fireclay items:  $\hat{A} \pm 5\%$  for below 200mm and  $\hat{A} \pm 3\%$  for above 200mm; for all other items tolerance  $\hat{A} \pm 1\%$ . Note: Due to a continuing development program to improve design and performance, the manufacturer reserves all rights to vary specifications without prior information. Please note accessories are for photographic use only.