



WE ARE IB

Collection

TOTEM

Article

T0405

Description

Exposed part for 3 ways wall mounted diverter kit

Box Dimensions

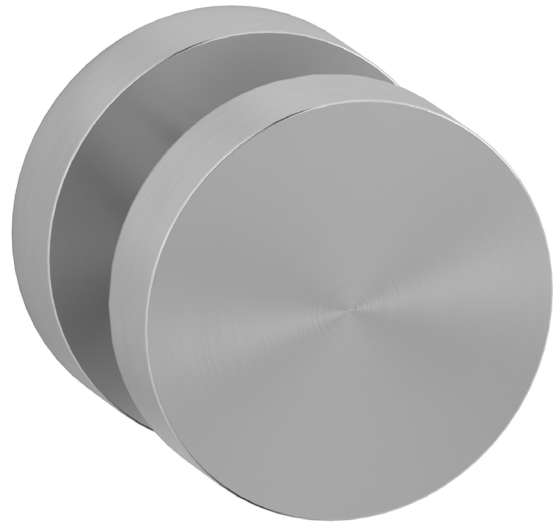
340x180x70 mm

Weight

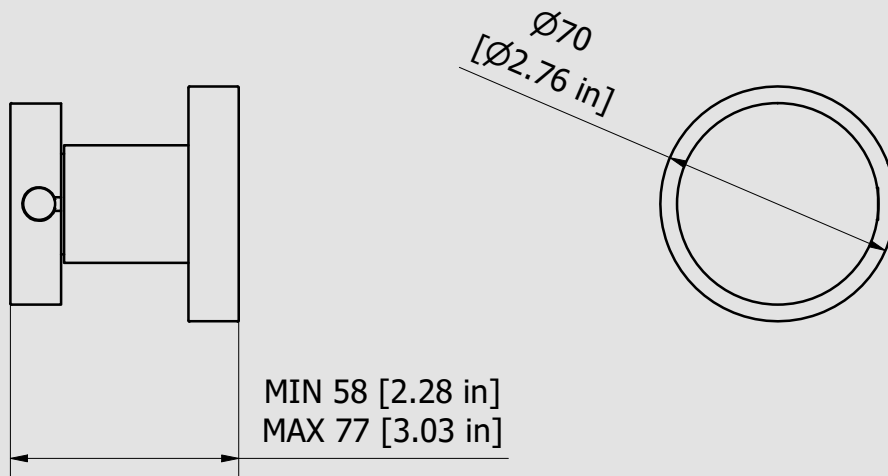
2.3 kg

Finishes

- **SA**
BRUSHED
STAINLESS
STEEL
- **BM**
BRUSHED
BLACK
METAL
- **WA**
BRUSHED
WARM
BRASS
- **WB**
BRUSHED
WARM
BRONZE



Dimensions



Cartridge

Diverter cartridge 3 ways

Threaded fitting

G1/2" female

Aerator

Flow Rate (+/-10%)

1 BAR
17 l/m

2 BAR
25 l/m

3 BAR
31 l/m

Production

Main body is a machined from a solid pieces

Material

STAINLESS STEEL
AISI316

IB RUBINETTERIE s.p.a
via dei Pianotti 3/5
25068 Sarezzo (BS) - Italy -

T. +39 030 802101
F. +39 030 803097
info@weareib.it

P.IVA 01785230986
capitale sociale
€420.000,00 i.v.

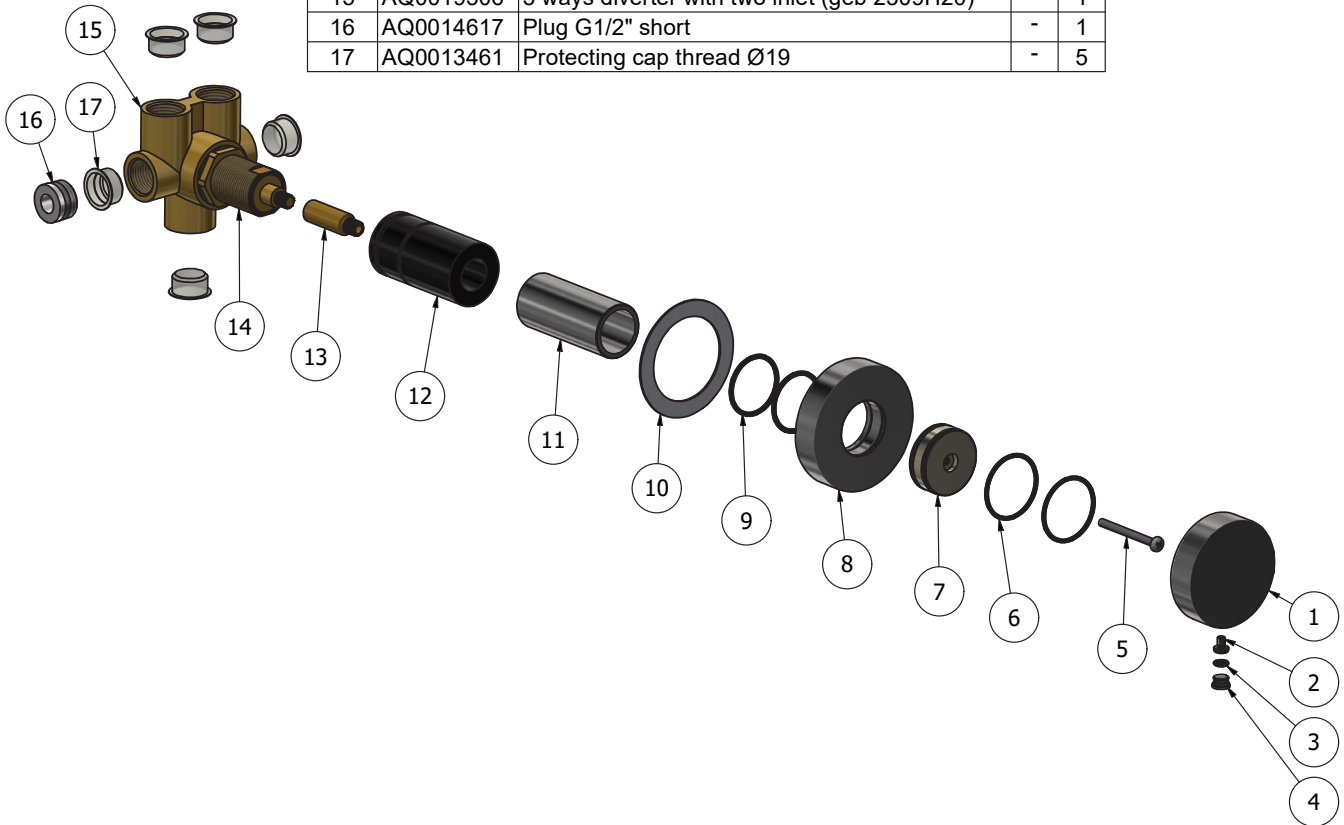
www.weareib.it





WE ARE IB

Parts list				
ITEMS	CODE	DESCRIPTION	FIN	QTÀ
1	AQSA19064	Handle's cover Ø60 Ø54.5 H15	F	1
2	AQ0013322	St. steel screw M4x6	-	1
3	AQ0009826	OR 5x1.5 NBR 70 SH	-	1
4	AQSA19065	Hole cover cap Ø9.5 Ø8 H5.5	F	1
5	AQ0009924	Screw M4x45 ISO 7045		1
6	AQ0008026	OR 33.05x1.78 NBR 70 SH	-	2
7	AN0019090	Handle Ø36.5 Ø7.3 Z20 H18.5	N	1
8	AQSA19711	Rosette Ø70 Ø30.5 H15	F	1
9	AQ0011648	OR 30x2 NBR 70 SH	-	2
10	AQ0018597	Rubber packing double-sided tape Ø65xØ47x1	-	1
11	AQSA19101	Ring Ø30 26x19 H65	F	1
12	AQ0019100	Template Ø35 26x19 H65	-	1
13	AS0010014	Extension for diverter's rod	G	1
14	AS0009995	Bush for headwork W26 x 19 W22 x 19	G	1
15	AQ0019306	3 ways diverter with two inlet (geb 2309H20)		1
16	AQ0014617	Plug G1/2" short	-	1
17	AQ0013461	Protecting cap thread Ø19	-	5





WE ARE IB

WARRANTY

All IB Rubinetterie SpA products are warranted for 10 years from the date of purchase, for the following cases:

- Defects of casting, porosity and chrome plating.
- Operating defects caused by incorrect fabrication.

The warranty provides for repair or replacement of products with fabrication defects recognized by our technical office. There is no other type of compensation anche the merchandise must be returned FOB our warehouse. The warranty only cover surface defects (scartches, dings, etc.) on fitting that have not been installed and used, returned in its original packaging with all components. O-ring, gasket seals and components subject to wear proportional to use are warranted for 2 years.

The warranty is void in the following cases:

Error installing and putting the product into service.

Deterioration of finished surfaces due to use of cleaning products containing acids or abrasive substances.

Deterioration of surface with finishes other than chrome plating. Their durability is, in fact, dependent on the user's care and gentleness of use.

Deterioration of the fitting due incorrect installation.

Improper repairs and maintenance performed without the company's prior authorization.

The warranty from IB Rubinetterie SpA is not renewable.

Cleaning

We recommended cleaning the finish surfaces with water and soap, using a soft cloth.

Do not use detergents that cointain hydrochloric acid or abrasive substances.