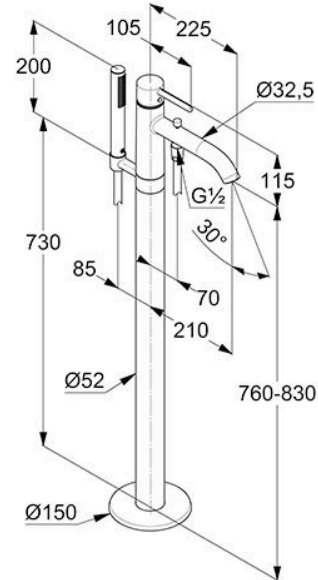


KLUDI-BOZZ BATH MIXER; SHOWER MIXER DN 15



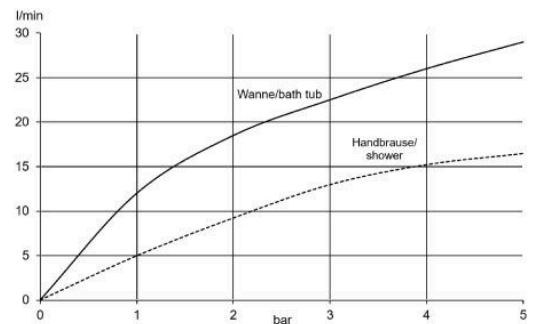
38590N576

Bath Mixers



Technical Specification

Series:	KLUDI-BOZZ
Color:	Brushed Nickel
Dimensions:	210 x 150 x 870 mm
Flow Rate:	Extra High Flow (Above 9 L/min)
Water Efficiency:	Standard
Installation Type:	Freestanding



Name:

- KLUDI-BOZZ
- Bath Mixer
- Shower Mixer DN 15
- Installation for free standing bathtub
- Solid lever
- Ceramic cartridge with hot water limitation
- Flow regulator s-pointer M 24 x 1
- Flow rate 22 l/min at 3 bar
- Autom. diverter shower/bathtub

Dimensions: All dimensions in mm. Tolerance of vitreous china & fireclay items: $\hat{A} \pm 5\%$ for below 200mm and $\hat{A} \pm 3\%$ for above 200mm; for all other items tolerance $\hat{A} \pm 1\%$. Note: Due to a continuing development program to improve design and performance, the manufacturer reserves all rights to vary specifications without prior information. Please note accessories are for photographic use only.

- With KLUDI handshower 1S

Dimensions: All dimensions in mm. Tolerance of vitreous china & fireclay items: $\hat{\pm}$ 5% for below 200mm and $\hat{\pm}$ 3% for above 200mm; for all other items tolerance $\hat{\pm}$ 1%. Note: Due to a continuing development program to improve design and performance, the manufacturer reserves all rights to vary specifications without prior information. Please note accessories are for photographic use only.