

Collection

M316

Article

M3313

Description

Exposed parts for manual wall mixer with two ways diverter and shower kit

Box Dimensions

370x270x80 mm

Weight

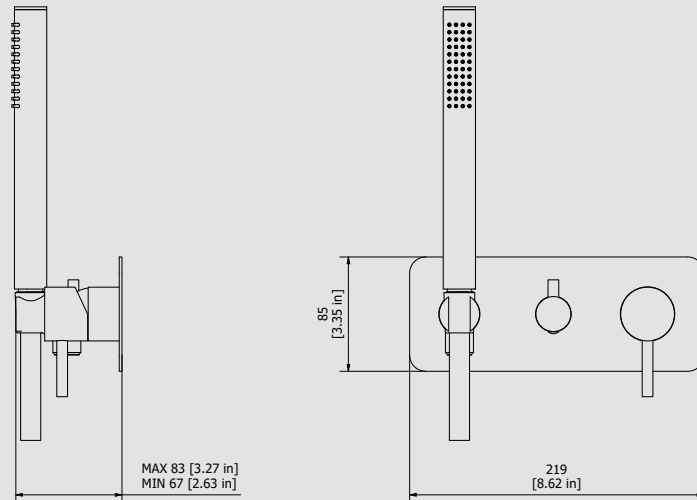
2.8 kg

Finishes

- **SA**
BRUSHED
STAINLESS
STEEL
- **BM**
BRUSHED
BLACK
METAL
- **WA**
BRUSHED
WARM
BRASS
- **WB**
BRUSHED
WARM
BRONZE



Dimensions



Cartridge

Ø35 ceramic cartridge

Threaded fitting

Flex G1/2" female L1500

Aerator

Flow Rate (+/-10%)

**1 BAR
10 l\m**

**2 BAR
14 l\m**

**3 BAR
17 l\m**

Production

Main body is a machined from a solid pieces

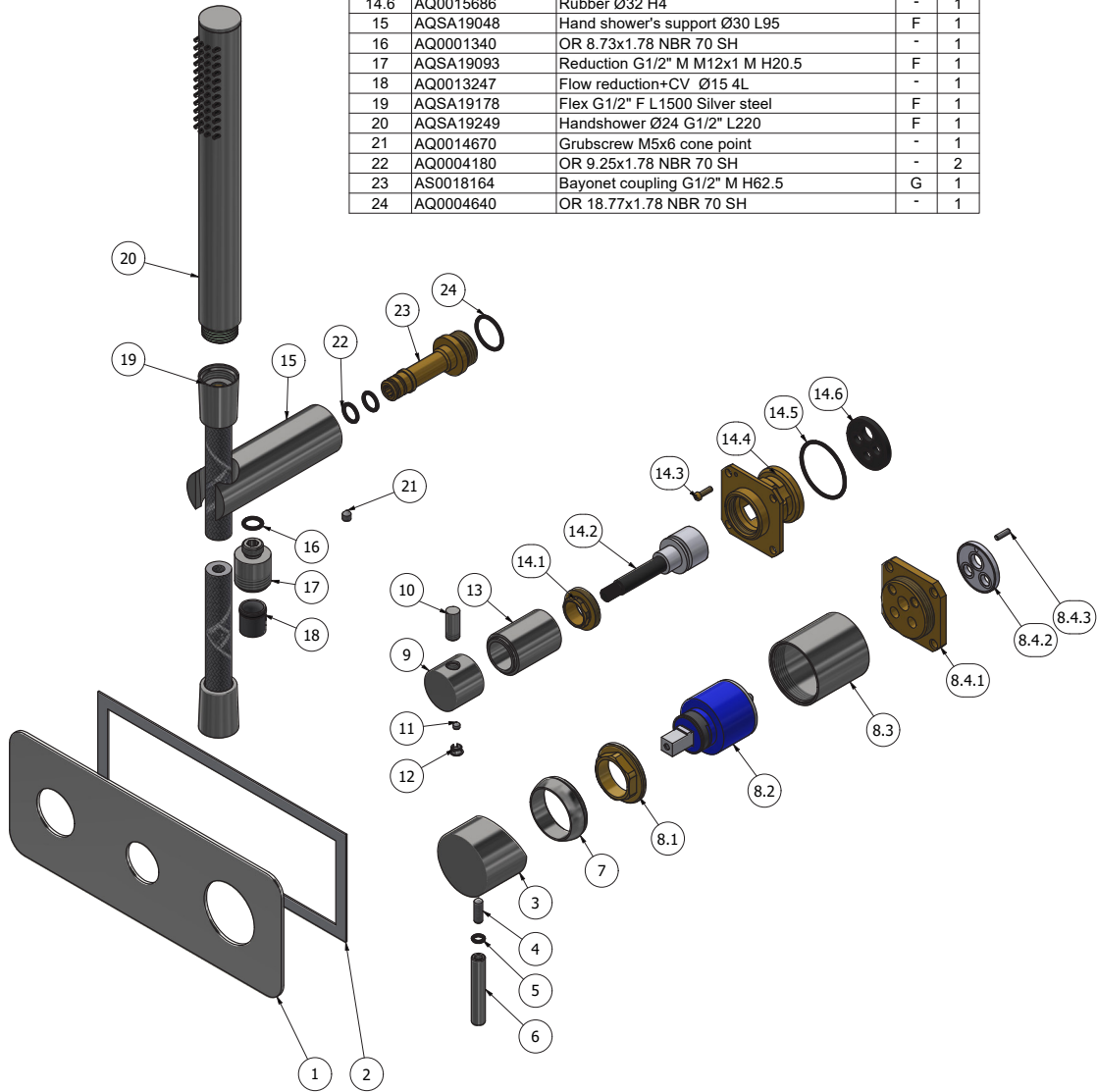
Material

**STAINLESS STEEL
AISI316**



WE ARE IB

Parts list				
ITEMS	CODE	DESCRIPTION	FIN	QTÀ
1	AQ0014139-TI	Plate 219x85x2	F	1
2	AQ0014142	Rubber packing double-sided tape 200x75x8x1	-	1
3	AQSA19271	Handle Ø40 H32 9x9 inc	F	1
4	AQ0009035	Grubscrew M5x16 cone point	-	1
5	AQ0009826	OR 5x1.5 NBR 70 SH	-	1
6	AQSA19156	Straight rod Ø8 L45 M5	F	1
7	AQSA19272	Cover Ø38.5 H11.5 M37x1.5	F	1
8	CPM3305SAN_1	Mixer 47x47 x recessed	-	1
8.1	AQ0001040	Cartridge ring nut M37x1.5 H9	G	1
8.2	AQ0004095	Ceramic cartridge Ø35 9x9 (K35A)	-	1
8.3	AQSA19229	Recessed ring Ø40 M37x1.5 H40.7	F	1
8.4	CP13040XXN_1	Inserto 47x47	-	1
8.4.1	AS0013040	Insert 47x47 H11 M37x1.5	G	1
8.4.2	AQ0015684	Gasket Ø31 H3.5 Ø7 Ø7.5	-	1
8.4.3	AQ0015357	Grubscrew M3x10 flat point	-	1
9	AQSA19068	Diverter's knob Ø26 H22	F	1
10	AQSA19069	Handle knob M8 H19	F	1
11	AQ0001082	Grubscrew M4x4 cone point	-	1
12	AQ0006650	Plug cover Ø7	F	1
13	AQSA19067	Ring Ø26 M19x1 H36	F	1
14	CPDEV2VXXN_24	2 ways diverter	-	1
14.1	AS0018925	Nut M25x1 M19x1 Ø15 H10	G	1
14.2	AQ0018563	Diverter ceramic cartridge 2 ways Ø22 H73	-	1
14.3	AQ0012206	Inox screw M3x10	-	1
14.4	AS0018934	Diverter body 47x47x32.5 2 ways	G	1
14.5	AQ0008026	OR 33.05x1.78 NBR 70 SH	-	1
14.6	AQ0015686	Rubber Ø32 H4	-	1
15	AQSA19048	Hand shower's support Ø30 L95	F	1
16	AQ0001340	OR 8.73x1.78 NBR 70 SH	-	1
17	AQSA19093	Reduction G1/2" M M12x1 M H20.5	F	1
18	AQ0013247	Flow reduction+CV Ø15 4L	-	1
19	AQSA19178	Flex G1/2" F L1500 Silver steel	F	1
20	AQSA19249	Handshower Ø24 G1/2" L220	F	1
21	AQ0014670	Grubscrew M5x6 cone point	-	1
22	AQ0004180	OR 9.25x1.78 NBR 70 SH	-	2
23	AS0018164	Bayonet coupling G1/2" M H62.5	G	1
24	AQ0004640	OR 18.77x1.78 NBR 70 SH	-	1





WE ARE IB

WARRANTY

All IB Rubinetterie SpA products are warranted for 10 years from the date of purchase, for the following cases:

- Defects of casting, porosity and chrome plating.
- Operating defects caused by incorrect fabrication.

The warranty provides for repair or replacement of products with fabrication defects recognized by our technical office. There is no other type of compensation anche the merchandise must be returned FOB our warehouse. The warranty only cover surface defects (scartches, dings, etc.) on fitting that have not been installed and used, returned in its original packaging with all components. O-ring, gasket seals and components subject to wear proportional to use are warranted for 2 years.

The warranty is void in the following cases:

Error installing and putting the product into service.

Deterioration of finished surfaces due to use of cleaning products containing acids or abrasive substances.

Deterioration of surface with finishes other than chrome plating. Their durability is, in fact, dependent on the user's care and gentleness of use.

Deterioration of the fitting due incorrect installation.

Improper repairs and maintenance performed without the company's prior authorization.

The warranty from IB Rubinetterie SpA is not renewable.

Cleaning

We recommended cleaning the finish surfaces with water and soap, using a soft cloth.

Do not use detergents that cointain hydrochloric acid or abrasive substances.